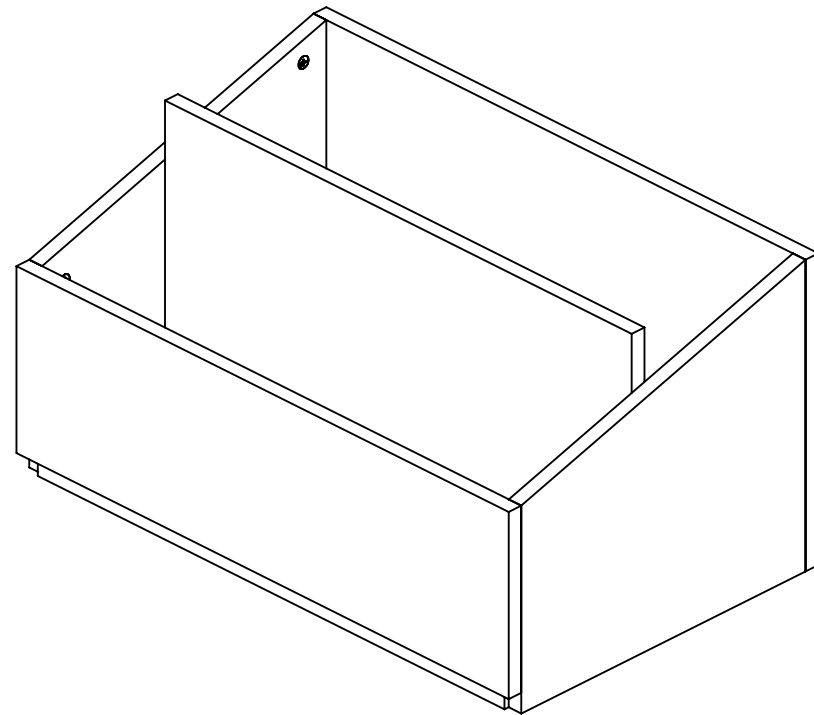
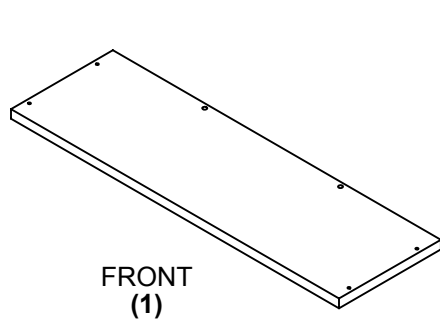




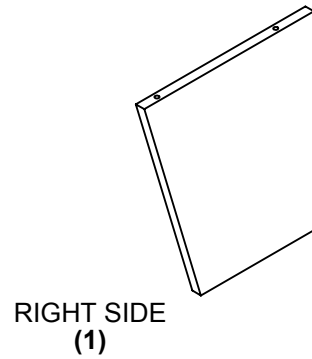
COMPANION DISPLAY
(EL-COMPANION)
ASSEMBLY INSTRUCTIONS
29" W x 15" H x 18-1/4" D



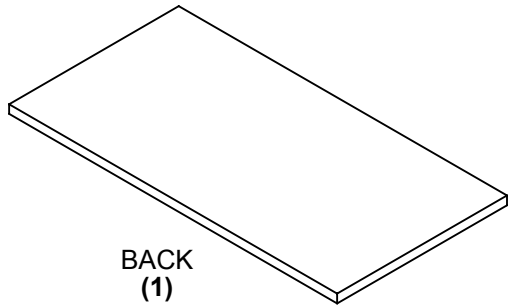
PARTS



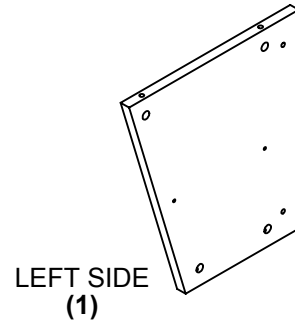
FRONT
(1)



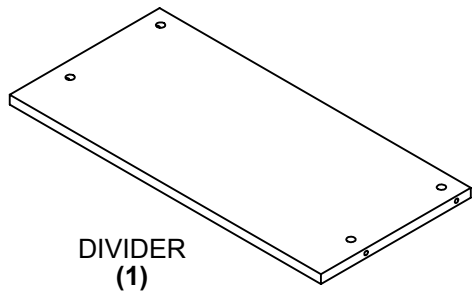
RIGHT SIDE
(1)



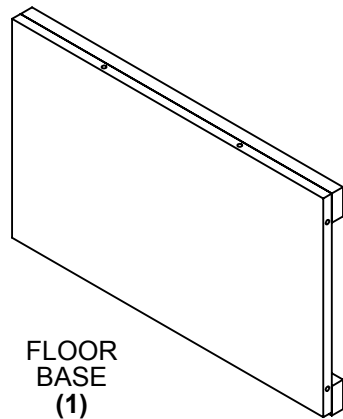
BACK
(1)



LEFT SIDE
(1)

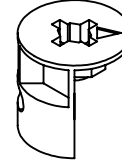


DIVIDER
(1)

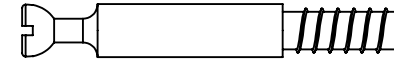


FLOOR
BASE
(1)

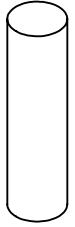
HARDWARE



MINIFIX CAM
(12)

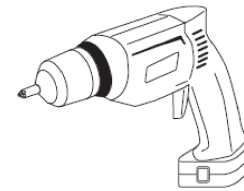


CONNECTOR PIN
(12)

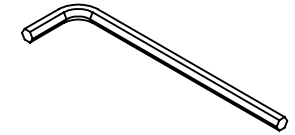


DOWEL
(8)

TOOLS & SAFETY



Power Drill with
Phillips Bit



4mm Hex Key

Two or more people are recommended for unpacking, assembly, and moving. Failure to do so may result in failing of the unit.

Failure to follow the assembly directions could result in damage or injury.

Install in a level and stable location.

Assemble display in the area it will occupy. Never attempt to move display after loading.

* All components, parts, and hardware are packed and shipped in one carton.



1.888.465.1289
For customer assistance, ask for CROSSVILLE representative.

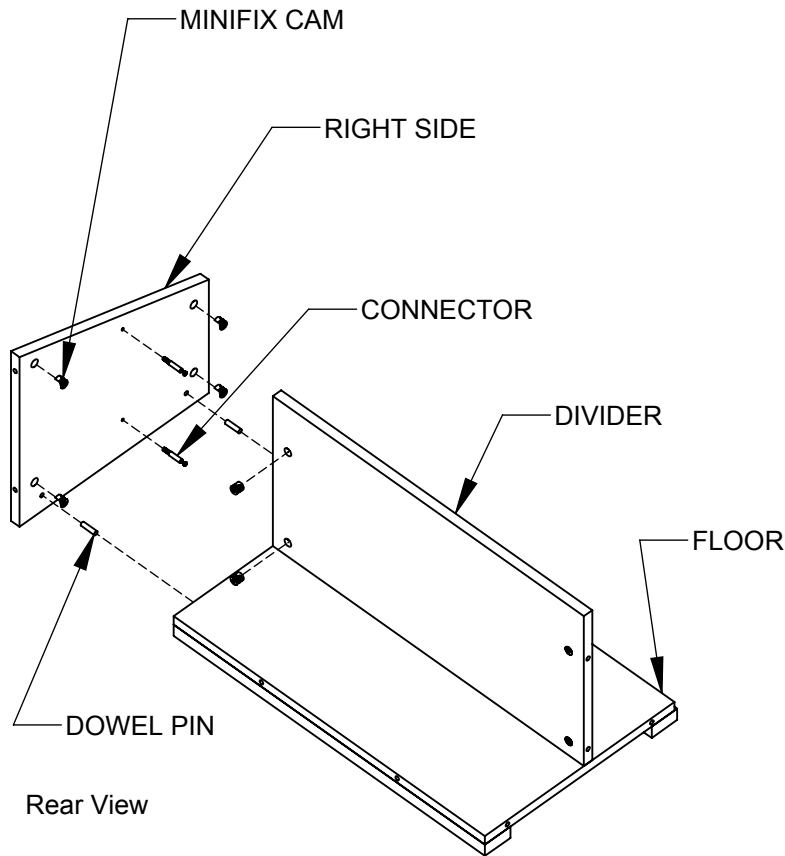
PAGE
2 of 4

STEP 1

Insert (2) **CONNECTOR PINS** into the **RIGHT SIDE** panel
Insert (4) **MINIFIX CAMS** into the **RIGHT SIDE** panel and (2) **MINIFIX CAMS** into the **DIVIDER** panel.

Attach the **DIVIDER** panel and **FLOOR BASE** to the **RIGHT SIDE** using (2) **DOWEL PINS** to align. Turn **CAMS** in the **DIVIDER** to secure.

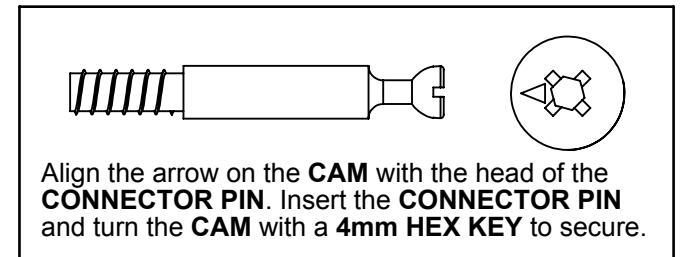
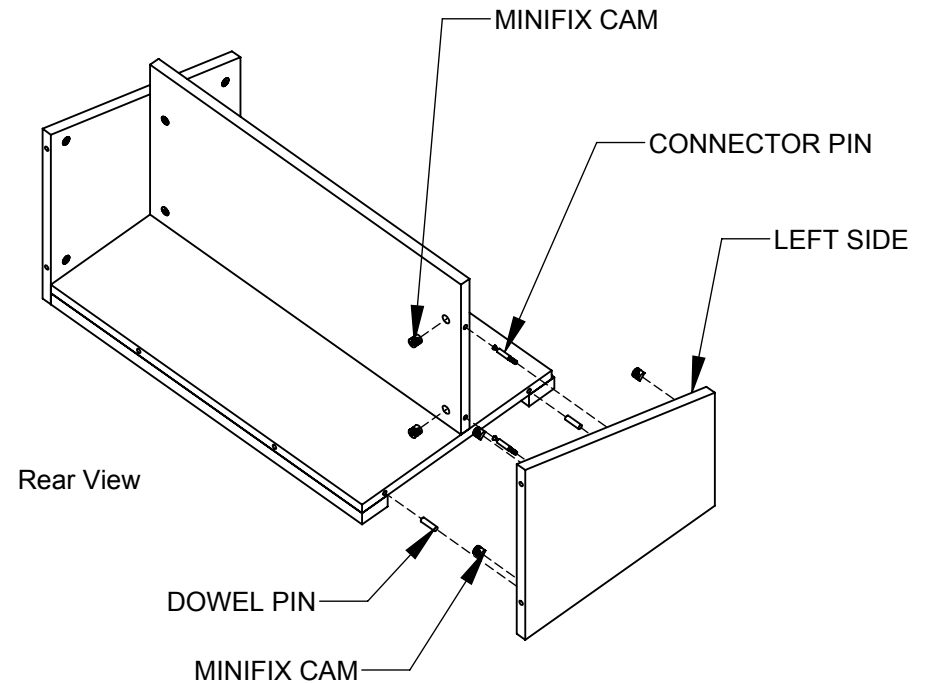
Repeat for the **LEFT SIDE**.



STEP 2

Insert (2) **CONNECTOR PINS** into the **LEFT SIDE** panel
Insert (4) **MINIFIX CAMS** into the **LEFT SIDE** panel and (2) **MINIFIX CAMS** into the **DIVIDER** panel.

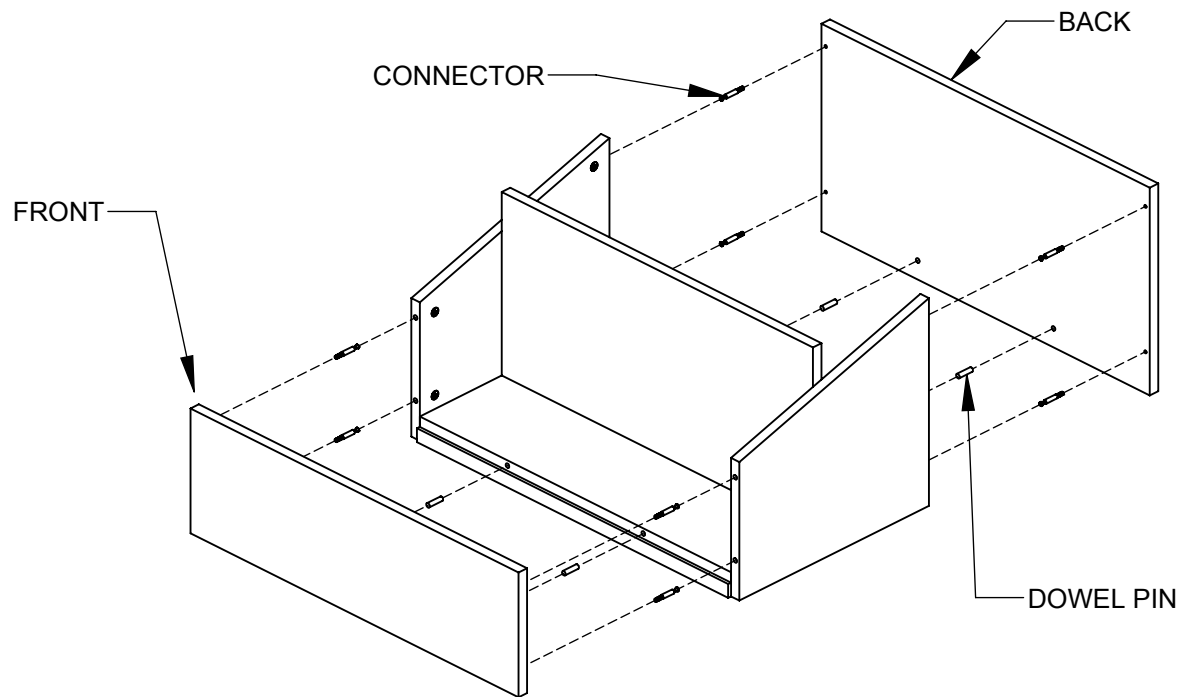
Attach the **DIVIDER** panel and **FLOOR** to the **LEFT SIDE** using (2) **DOWEL PINS** to align. Turn **CAMS** in the **DIVIDER** to secure.



STEP 3

Insert (2) **DOWEL PINS** into each side of the **FLOOR** section.
Insert (4) **CONNECTOR PINS** into the **FRONT** and **BACK** panels.

Attach the **FRONT** and **BACK** panels to the **RIGHT SIDE** and **LEFT SIDE** aligning all **DOWEL PINS** and **CONNECTOR PINS**. Turn the **CAMS** to secure.



Front View

