

48" VIGNETTE
(EL-48VIGNETTE)
ASSEMBLY INSTRUCTIONS
39" W x 48" H x 29" D

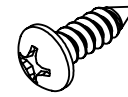
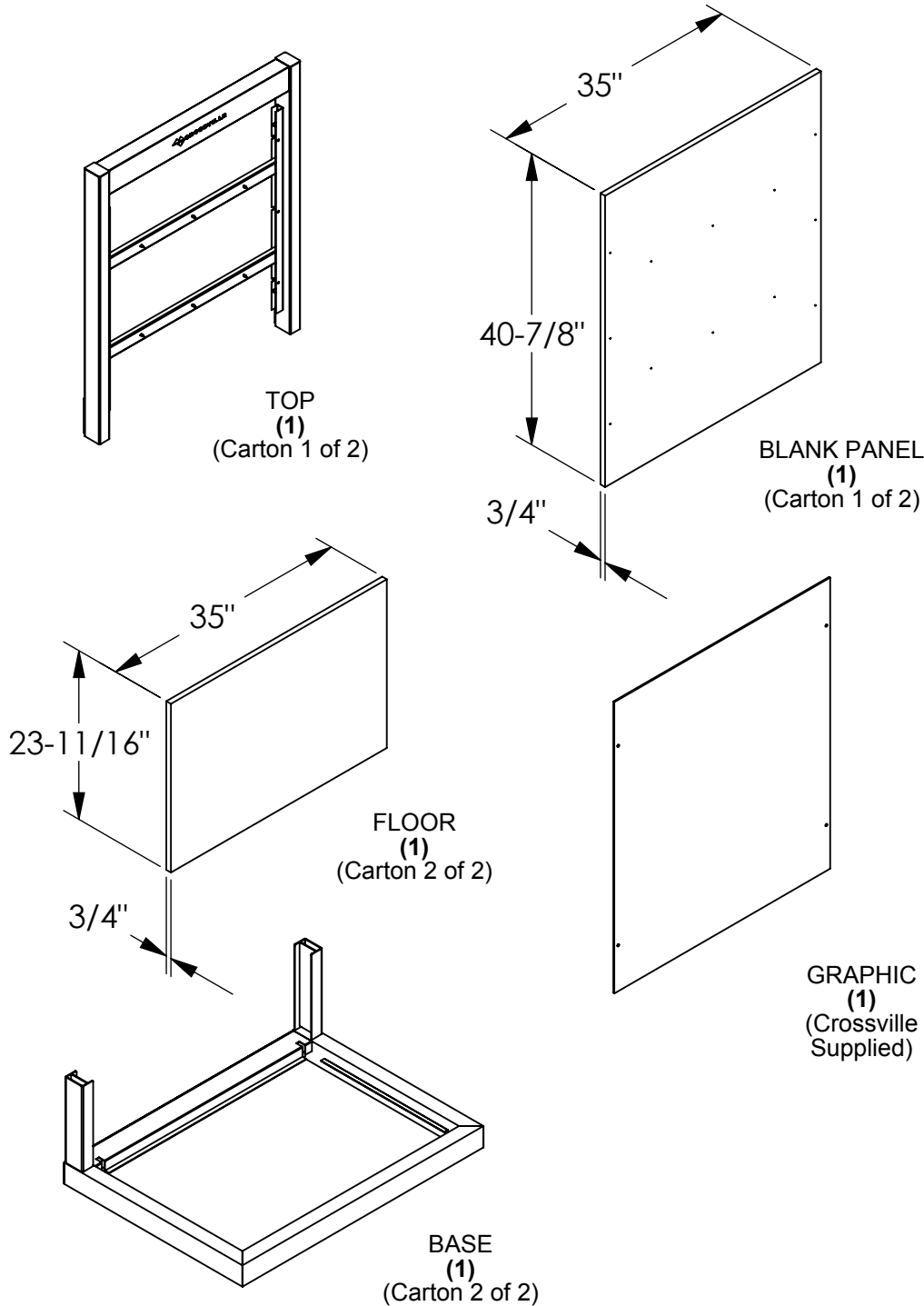


1.888.465.1289
For customer assistance, ask for CROSSVILLE representative.

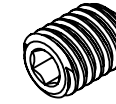
PARTS

*Contact Crossville distributor for tile surface and pattern ideas - Tiles not included

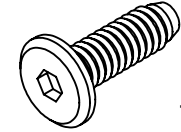
HARDWARE



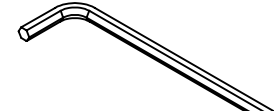
#10 x 5/8" SCREW
(12)



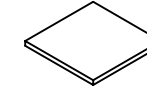
SET SCREW
(4)



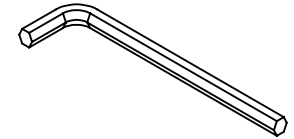
7/8" BOLT
(4)



4mm Hex key

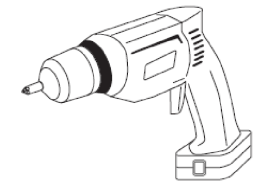


PAD
(4)



3/16 - Hex key

TOOLS & SAFETY



Power Drill with
Phillips Bit

Two or more people are recommended for unpacking, assembly, and moving. Failure to do so may result in failing of the unit.

Failure to follow the assembly directions could result in damage or injury.

Install in a level and stable location.

Assemble display in the area it will occupy. Never attempt to move display after loading.



For customer assistance, ask for CROSSVILLE representative.

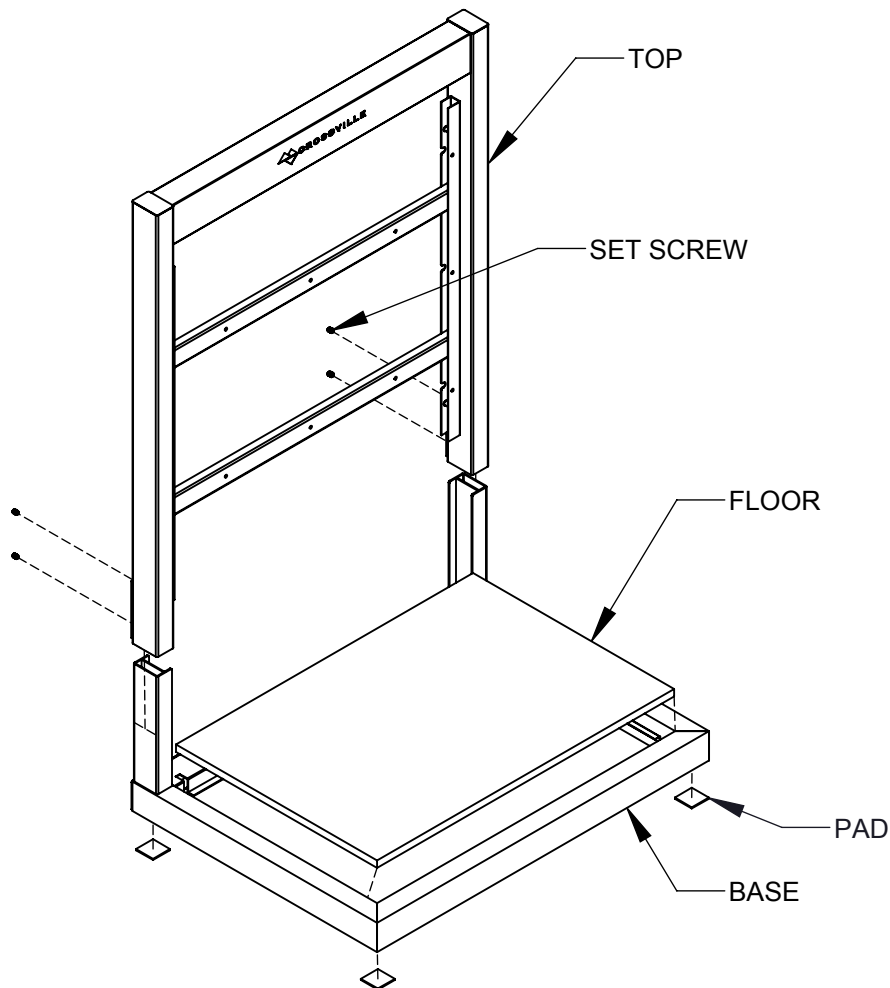
1.888.465.1289

PAGE
2 of 5

STEP 1

Remove the adhesive backing from **(4) PADS** and apply to the bottom corners of the **BASE**. Attach the **TOP** section to the **BASE** section using **(4) SET SCREWS**. Make sure the **CROSSVILLE LOGO** faces forward.

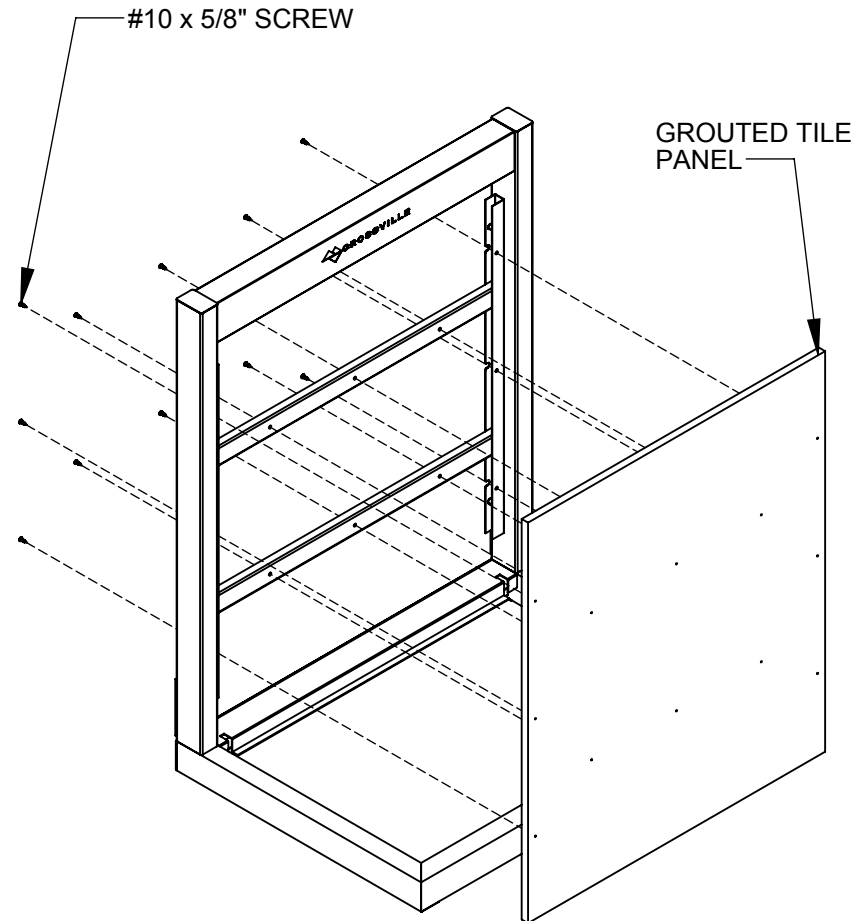
Insert the **FLOOR** into the **BASE** section.



STEP 2

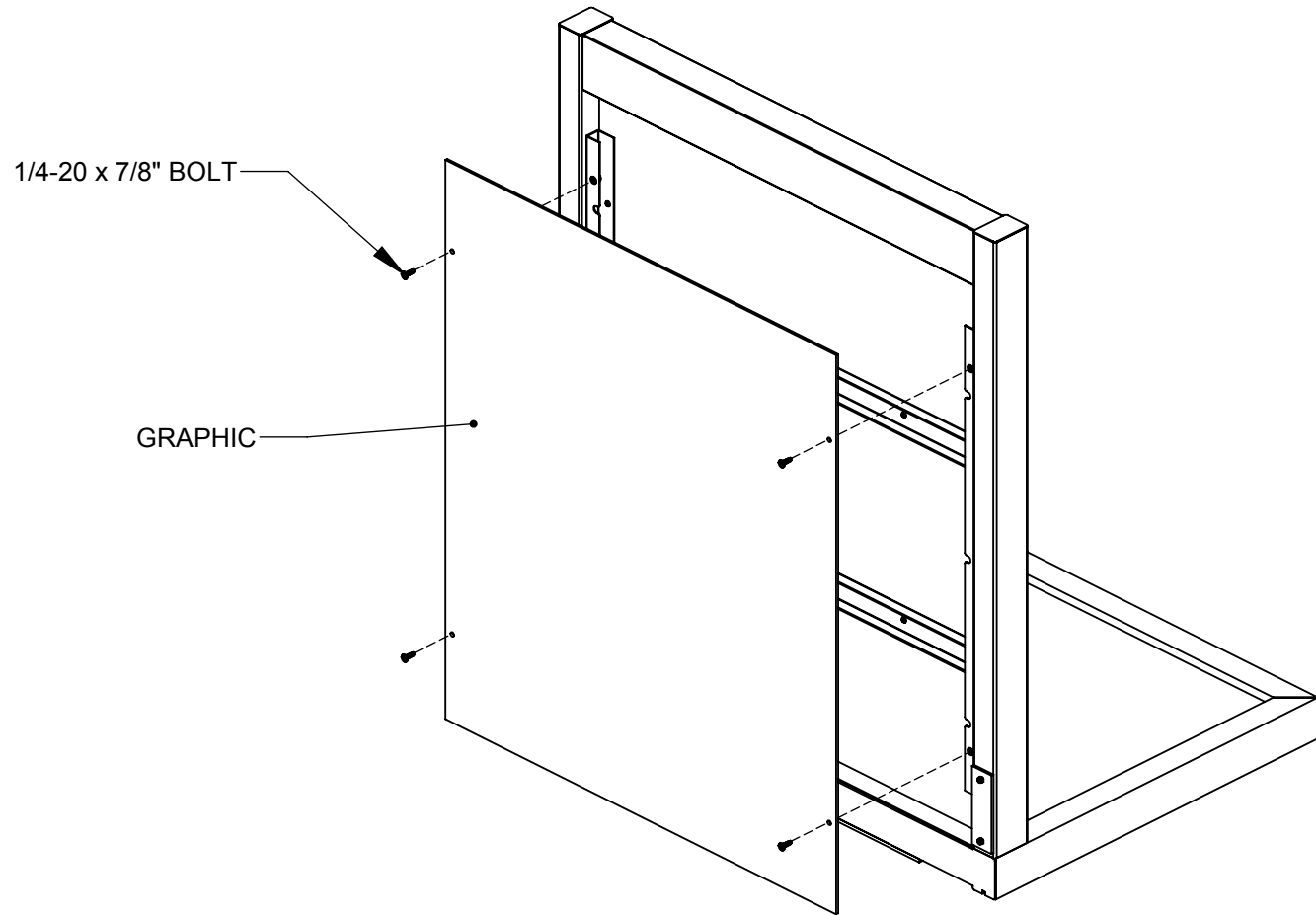
Attach the **GROUTED TILE PANEL** to the **TOP** section using **(12) #10 x 5/8" SCREWS** into the pilot holes in the back of the **GROUTED TILE PANEL**.

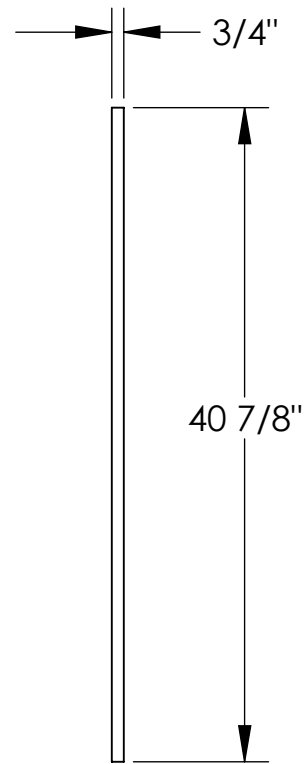
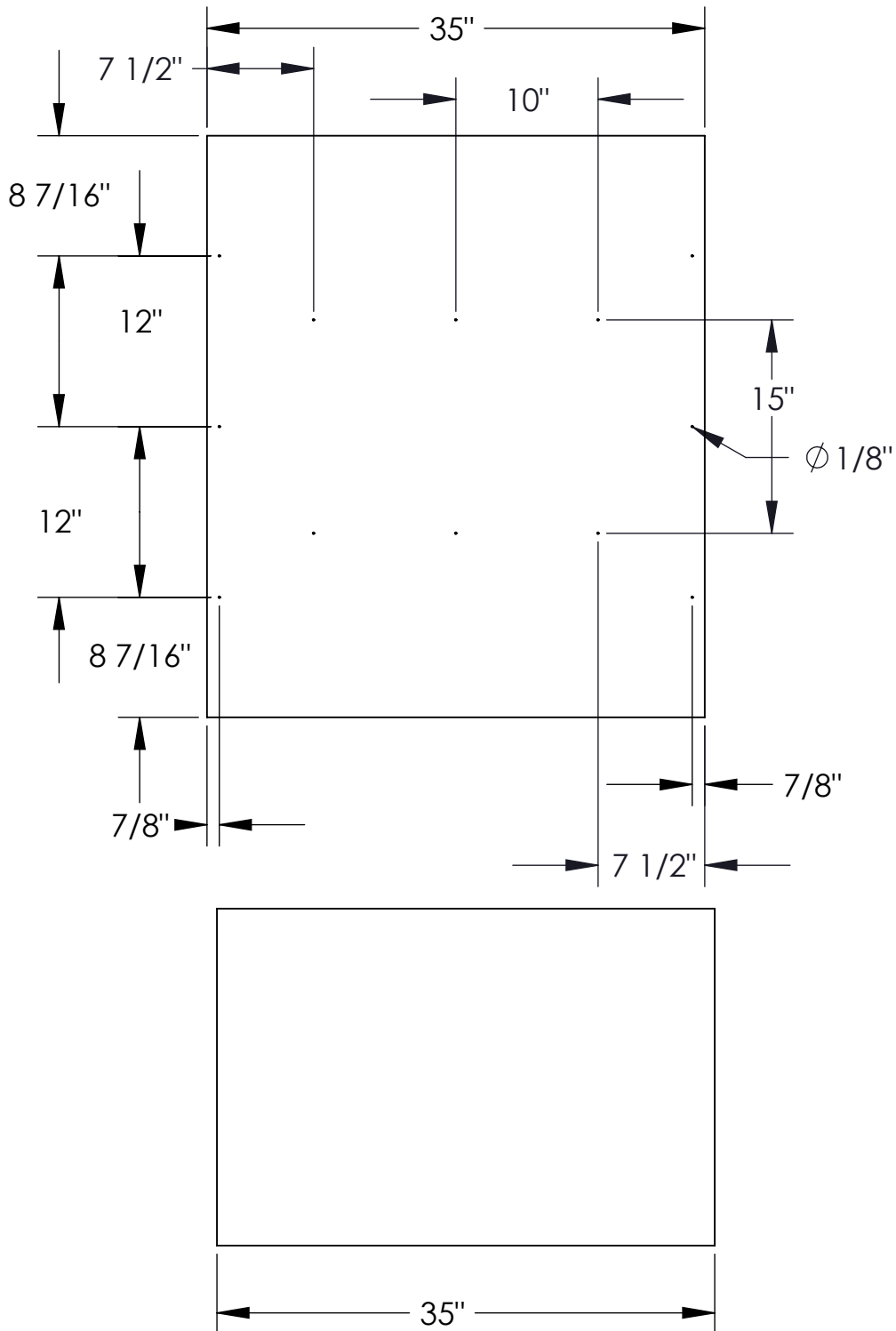
NOTE: Lay tile and grout on **BLANK PANEL** before attaching to display frame. **BLANK PANEL** provided for mounting tile of choice.



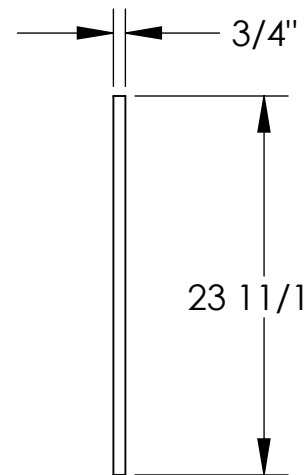
STEP 3

Attach the **GRAPHIC** to the back of the **TOP** section using **(4) 1/4-20 x 7/8" BOLTS**.





BACK BOARD:
 3/4" Particle Board
 35" x 40-7/8"



BOTTOM BOARD:
 3/4" Particle Board
 35" x 23-11/16"

RETAIN ON FILE FOR FUTURE USE

48" Vignette